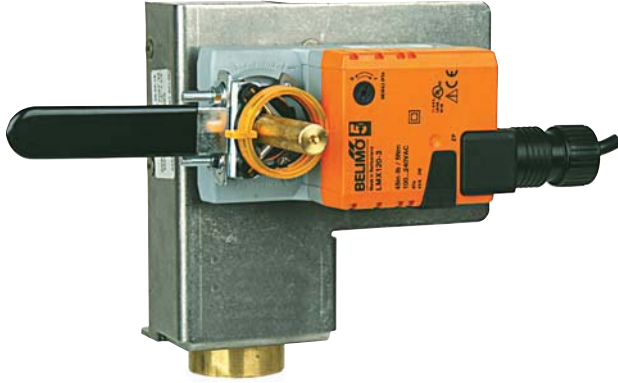


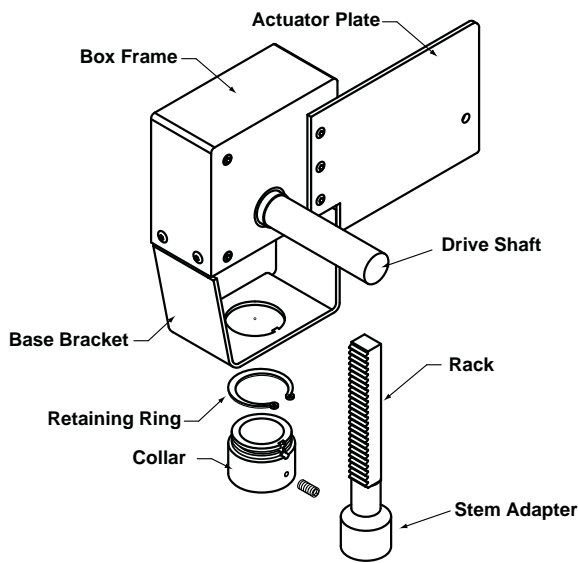
UGLK.../UGSP... Retrofit Linkage for Globe Valves

For LM and LF Series Actuators



Technical Data	UGLK... / UGSP...
Materials:	
Frame, plate, base	stainless steel
Collar	brass
Drive shaft	½" brass
Gears, rack	sintered steel
Bearing	bronze
Stem adaptor	brass
Stroke max (gear teeth)	½" (12 teeth)
Mounting position	360° mountable
Ambient temperature	-22°F to +122°F [-30°C to +50°C]
Storage temperature	-40°F to +176°F [-40°C to +80°C]
Servicing	chilled or hot water max steam inlet 50 psi
Weight	2.8 lbs [1.3 kg]

UGLK / UGSP Parts Breakdown



Application

The UGLK/UGSP retrofit kit is designed to easily attach to the valve bonnet on select competitor valves utilizing Belimo LM and LF series actuators. The kit is used to restore service to the valve without removal of the valve, saving down time.

The unique collar design allows the UGLK to be mounted on various two-way or three-way valves. The rack and pinion construction allow the linkage to be used with normally open and normally closed valves.

Default/Configuration

The actuator is sold separately from the linkage. This allows users to select the actuator with the desired control signal. The linkage utilizes standard air-side actuators that can be purchased at any time and mounted in the field. With the free spring design of the linkage, clearance is not an issue. The linkage can be oriented at any angle on the bonnet.

Operation

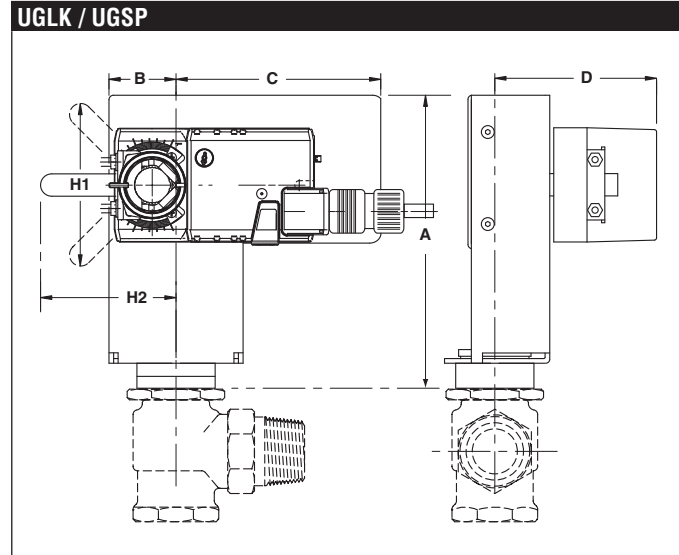
The UGLK/UGSP linkage provides approximately ½" of downward stroke with 95° rotation on the actuator. The linkage travel is based on the size of gear inside. The gear size is stamped on the frame. This allows the valve to extend fully open or closed based on signal. When directional needs vary, the actuator can be flipped or the directional switch turned to a new rotation. The compact design allows for installation in tight spaces.

Suitable Actuators	Close-Off Ranges
LM Series	2-250 psi
LF Series	22-250 psi

Competitor Valves**

Honeywell
JCI
Siemens / Powers
Siebe / Invensys / TAC / Schneider

**Consult pages 93-119 of the Retrofit Technical Documentation and/or SelectPro for close-off pressures and a cross reference of each valve.



Dimensions (Inches [mm])			
A	6.5" [165]	D	4.0" [102]
B	1.5" [33]	H1	4.0" [102]
C	5.0" [127]	H2	3.5" [89]

Tech.Doc - 07/14 - Subject to change. © Belimo Aircontrols (USA), Inc.



Application

The UGLK/UGSP retrofit kit is designed to easily attach to the valve bonnet on select competitor valves utilizing Belimo GK, AF, NF, GM, AM and NM series actuators. The kit is used to restore service to the valve without removal of the valve, saving down time.

The unique collar design allows the UGLK to be mounted on various two-way or three-way valves. The rack and pinion construction allow the linkage to be used with normally open and normally closed valves.

Default/Configuration

The actuator is sold separately from the linkage. This allows users to select the actuator with the desired control signal. The linkage utilizes standard air-side actuators that can be purchased at any time and mounted in the field. Due to the free spring design of the linkage, clearance is not an issue. The linkage can be oriented at any angle on the bonnet.

Operation

The UGLK/UGSP linkage provides approximately 1/2" to 1-1/2" of downward stroke with 95° rotation on the actuator. The linkage travel is based on the size of gear inside. The gear size is stamped on the frame. This allows the valve to extend fully open or closed based on signal. When directional needs vary, the actuator can be flipped or directional switch turned to a new rotation.

Technical Data	UGLK... / UGSP...
Materials:	
Frame, plate, base	stainless steel
Collar	brass
Drive shaft	3/4" brass
Gears, rack	sintered steel
Bearing	bronze
Stem adaptor	brass
Stroke max (gear teeth)	1/2" (12 teeth) 3/4" (17 teeth) 1-1/8" (25 teeth) 1-1/2" (33 teeth)
Mounting position	360° mountable
Ambient temperature	-22°F to +122°F [-30°C to +50°C]
Storage temperature	-40°F to +176°F [-40°C to +80°C]
Servicing	chilled or hot water, and steam
Weight	5.7 lbs [2.6 kg]

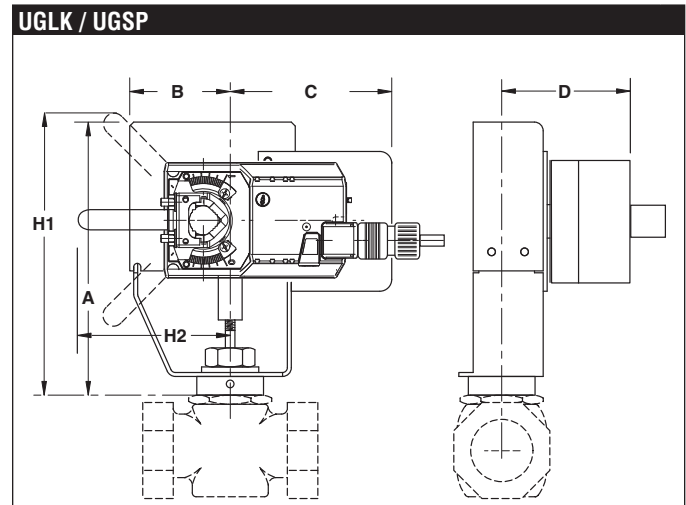
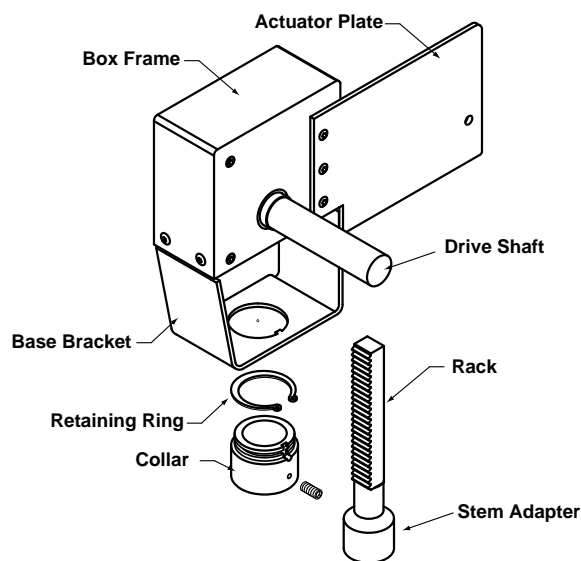
Suitable Actuators	Close-Off Ranges
GK Series	10-250 psi
AF Series	4-250 psi
NF Series	10-250 psi
GM Series	10-250 psi
AM Series	4-250 psi
NM Series	10-250 psi

Competitor Valves**

Honeywell
JCI
Siemens / Powers
Siebe / Invensys / TAC / Schneider
Warren Controls

**Consult pages 93-119 of the Retrofit Technical Documentation and/or SelectPro for close-off pressures and a cross reference of each valve.

UGLK / UGSP Parts Breakdown



Dimensions (Inches [mm])			
A	9"-11" [178-356]	D	4.0" [102]
B	1.5" [33]	H1	4.0" [102]
C	5.0" [127]	H2	3.5" [89]

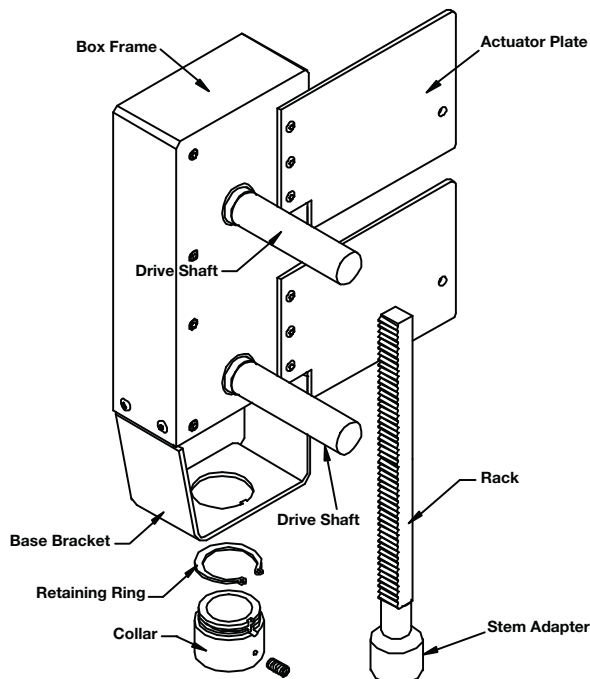
UGLK.../UGSP... Retrofit Linkage for Globe Valves

For Dual Mounted AF, GM, and GK Series Actuators



Technical Data		UGLK... / UGSP...
Materials:		
Frame, plate, base		stainless steel
Collar		brass
Drive shaft		3/4" brass
Gears, rack		sintered steel
Bearing		bronze
Stem adaptor		brass
Stroke max (gear teeth)		1/2" (12 teeth) 3/4" (17 teeth) 1-1/8" (25 teeth) 1-1/2" (33 teeth)
Mounting position		360° mountable
Ambient temperature		-22°F to +122°F [-30°C to +50°C]
Storage temperature		-40°F to +176°F [-40°C to +80°C]
Servicing		chilled or hot water, and steam max steam inlet 50 psi
Weight		10 lbs [4.5 kg]

UGLK / UGSP Parts Breakdown



Application

The UGLK/UGSP retrofit kit is designed to easily attach to the valve bonnet on select competitor valves utilizing tandem Belimo AF, GM, and GK series actuators when higher close-off is required. The kit is used to restore service to the valve without removal of the valve, saving down time.

The unique collar design allows the UGLK to be mounted on various two-way or three-way valves. The rack and pinion construction allow the linkage to be used with normally open and normally closed valves.

Default/Configuration

The actuator is sold separately from the linkage. This allows users to select any actuator with the desired control signal. The linkage utilizes standard air-side actuators that can be purchased at any time and mounted in the field. With the free spring design of the linkage, clearance is not an issue. The linkage can be oriented at any angle on the bonnet.

Operation

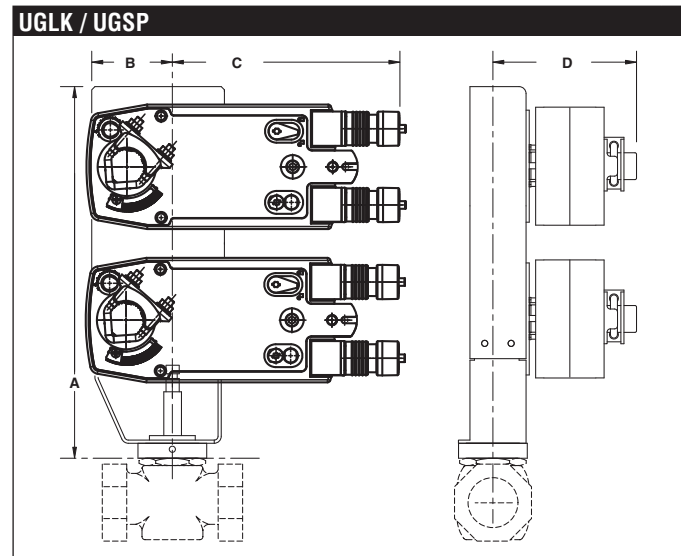
The UGLK/UGSP linkage provides approximately 1/2" to 1-1/2" of downward stroke with 95° rotation on the actuator. The linkage travel is based on the size of gear inside. The gear size is stamped on the frame. This allows the valve to extend fully open or closed based on signal. When directional needs vary, the actuators can be flipped or directional switch turned to a new rotation. Refer to Master Slave wiring for dual mounted actuators.

Suitable Actuators	Close-Off Ranges
2*AF Series	10-250 psi
2*GM Series	25-250 psi
2*GK Series	25-250 psi

Competitor Valves**

Honeywell
JCI
Siemens / Powers
Siebe / Invensys / TAC / Schneider
Warren Controls

**Consult pages 92-134 of the Retrofit Technical Documentation and/or SelectPro for close-off pressures and a cross reference of each valve.



Dimensions (Inches [mm])			
A	13"-17" [483]	C	9" [229]
B	3" [76]	D	5" [127]

Tech.Doc - 07/14 - Subject to change. © Belimo Aircontrols (USA), Inc.



Technical Data	
Service	chilled or hot water and steam
Applicable valve size	½" [13], ¾" [19], 1" [25], 1-¼" [32], 1-½" [38], 2" [50]
Stem	slotted, threaded
Frame, plate, base	aluminum, steel
Collar	aluminum, steel, (fits bonnets up to 1.7" dia.)
Stem adaptor	aluminum
Stroke	0.75" [20mm]
Mounting position	360°
Media temp range (water)	20°F to 250°F [-7°C to +120°C]
Media temp range (steam)	32°F to 388°F [0°C to 170°C]
Weight	1.9 lbs

Application

The UGVL retrofit kit is designed to easily attach LV and SV series actuators to select globe valves. Its unique adjustable design allows the UGVL to be mounted on ½" to 2" two-way or three-way valves in both normally open and normally closed configurations.

Default/Configuration

The default set up for a UGVL linkage will be factory installed along with a LV or SV series actuator. Included in the kit will be all the necessary hardware to facilitate mounting to the valve.

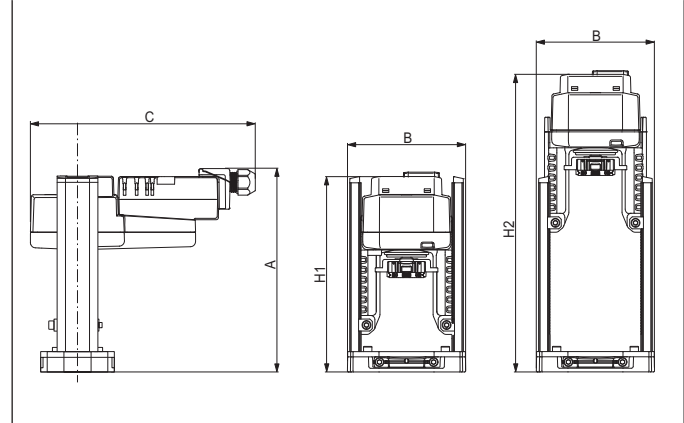
Operation

The UGVL linkage with actuator will provide 20 mm of linear travel to accommodate a wide range of valves.

Suitable Actuators

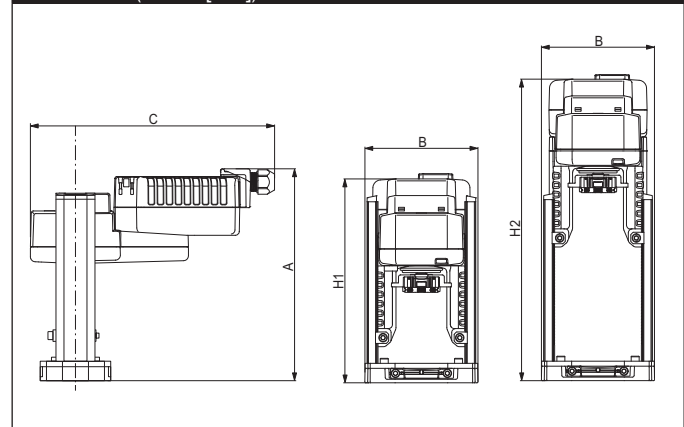
Linkage	Non-Spring Return	Electronic Fail-Safe
UGVL	LV, SV	LVK, SVK

Dimensions (Inches [mm]) with LV and SV Series Actuators



A	B	C	H1	H2
8" [203.2]	4.4" [113]	8.60" [218]	7.5" [190]	11.4" [290]

Dimensions (Inches [mm]) with LVK and SVK Series Actuators



A	B	C	H1	H2
8.5" [217]	4.4" [113]	9.6" [244]	8.4" [207]	12.1" [307]

Application Notes

**Consult pages 93-119 of the Retrofit Technical Documentation and/or SelectPro for close-off pressures and a cross reference of each valve.



Technical Data	
Service	chilled or hot water and steam
Applicable valve size	2½" [64], 3" [80], 4" [101], 5" [127], 6" [152]
Stem	316 stainless steel
Frame, plate, base	aluminum, steel (fits competitor bonnets up to 2.3" dia.)
Collar	aluminum
Coupling	GF nylon, supplied
Housing material	aluminum die cast and plastic casing
Stem adaptor	steel/aluminum
Stroke	1.25" [32 mm] AVK, 2" [50 mm] EV/RV
Mounting position	360°
Media temp range (water)	20°F to 250°F [-7°C to +120°C]
Media temp range (steam)	32°F to 388°F [0°C to 170°C]
Weight	5 lbs

Application

The FGVL retrofit kit is designed to easily attach AVK, EV, and RV series actuators to select flanged globe valves requiring larger stem travels and higher forces. Its casted base and lower locking clamp allow the FGVL to be mounted on 2½" to 6" two-way or three-way valves in both normally open and normally closed configurations.

Default/Configuration

The default set up for a FGVL linkage will be factory installed along with an AVK, EV, or RV series actuator. Included in the kit will be all the necessary hardware to facilitate mounting to the valve.

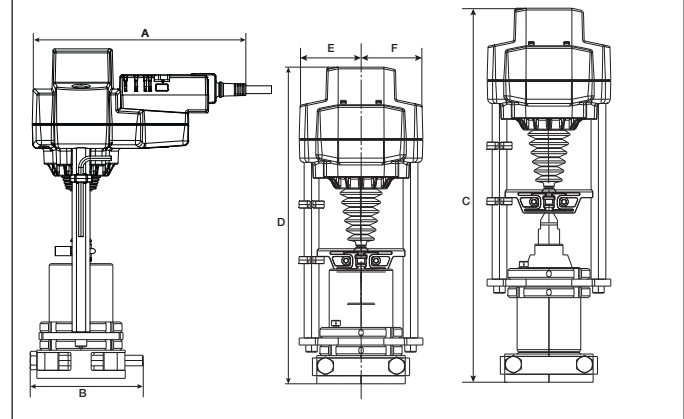
Operation

The FGVL linkage with actuator will provide up to 2" [50 mm] of linear travel to accommodate a wide range of valves.

Suitable Actuators

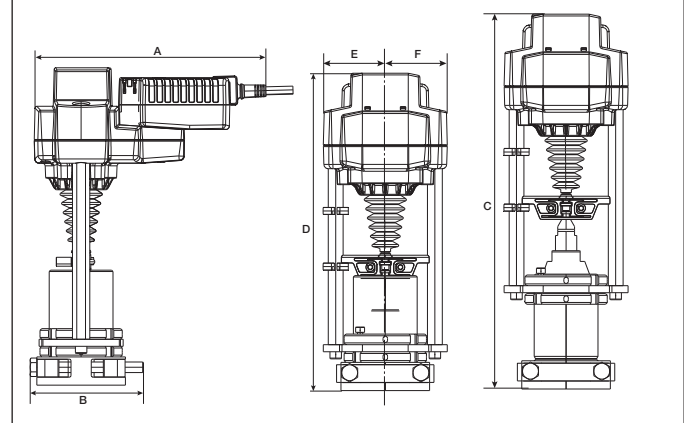
Linkage	Non-Spring Return	Electronic Fail-Safe
FGVL	EVB(X), RVB(X)	AVKB(X)

Dimensions (Inches [mm]) with EV and RV Series Actuators



A	B	C	D	E	F
9.2" [234]	5.00" [127]	16.33" [425]	14.00" [356]	2.78" [71]	

Dimensions (Inches [mm]) with AVK Series Actuators



A	B	C	D	E	F
10.25" [260]	5.00" [127]	16.73" [425]	14.00" [356]	2.78" [71]	

Application Notes

**Consult pages 93-119 of the Retrofit Technical Documentation and/or SelectPro for close-off pressures and a cross reference of each valve.

How to Select a Globe Valve Retrofit Solution

Follow the four steps listed below when ordering a globe valve retrofit kit for either UGLK or GVL series linkages.

Example: Siemens 658 series, 1¼” valve, needing **200 psi** close-off pressure and **Fail-Safe** actuation.

- Based on the **Valve Number, Configuration and Size**, select the proper linkage or linkages for your valve.
Some valves will have more than one linkage offered, use the actuator or combination pages to determine the appropriate linkage for a given application. In this example there is a **UGLK1214**, **UGLK1350** and a **UGVL** series linkage available.
- Use the selection guide and your close-off pressure requirement to select the correct actuator series for your application. Looking at the **UGLK1350** there are no fail-safe actuators that will achieve 200 psi close-off for 1¼” valve. Looking at the **UGLK1214** or **UGVL**, the **AF** or **SVK** Series actuator will provide over **200 psi close-off** for the 1¼” valve.
- Use the actuator listings to make your final actuator selection.

- HOW TO ORDER:

Option One:	
Item 1	1pc UGLK1214
Item 2	1pc AFB24-MFT

Option Two:	
Item 1	1pc UGVL + SVKX24-MFT



1 Select linkage solution based on the **Valve Number, Configuration, and Size**; select the proper **Linkage Solution** for your valve.

Siemens\Landis\Powers 658 Series Valves Linkage/Actuator Selection Guide

Valve Body Model	Valve Configuration	Size	Fail-safe	Close-Off psi	Belimo Actuator Series	Belimo Linkage
658 Series	2-way	1¼”	No	78	LM	UGLK1350
				156	NM	UGLK1350
				236	SV	UGVL
			Yes	250	AM	UGLK1214
				61	LF	UGLK1350
				156	NF	UGLK1214
			236	SVK	UGVL	
			250	AF	UGLK1214	

Example: **Siemens Series #658, 2-Way, 1¼”** valve to be retrofitted.

Choose correct kit **UGLK1214** or **UGVL**.

2 Verify close-off is suitable for application. Looking at the **UGLK** or **UGVL**, the **AF** and **SVK** Series actuator will provide **200 psi close-off** for the 1¼” valve.

BASIC PRODUCTS

Model	Control Input	Feedback	Power Supply	Running Time(s)		VA Rating	Auxiliary Switch
				M	⊙		
AFB24	On/Off	-	24 VAC/DC	<75 seconds	20 secs	7.5	-
AFB24-S	On/Off	-	24 VAC/DC	<75 seconds	20 secs	7.5	Built-In
AFBUP	On/Off	-	24-240 VAC	<75 seconds	20 secs	8.5	-
AFBUP-S	On/Off	-	24-240 VAC	<75 seconds	20 secs	8.5	Built-In
AFB24-SR	2-10 VDC (4-20mA)	2-10 VDC	24 VAC/DC	95 seconds	<20 secs	8.5	-
AFB24-SR-S	2-10 VDC (4-20mA)	2-10 VDC	24 VAC/DC	95 seconds	<20 secs	8.5	Built-In
AFB24-PC	0-10 V Phasecut	2-10 VDC	24 VAC/DC	150 seconds	<20 secs	10	-
AFB24-MFT	2-10 VDC (4-20mA)	2-10 VDC	24 VAC/DC	150 seconds	<20 secs	10	-
AFB24-MFT-S	2-10 VDC (4-20mA)	2-10 VDC	24 VAC/DC	150 seconds	<20 secs	10	Built-In
AFB24-MFT95	0 to 135	2-10 VDC	24 VAC/DC	150 seconds	<20 secs	10	-

3 Select actuator based on needed control type. Decide between **AFB24**, **AFB24-MFT**

or **SVKX24-3**, **SVKX24-MFT**.

4 Complete Ordering Example Option One:

Item 1: **UGLK1214**
Item 2: **AFB24-MFT**

Complete Ordering Example Option Two:

Item 1: **UGVL + SVKX24-MFT**

ACTUATOR PART #	LVKX24-3	LVKB24-SR	LVKX24-MFT	SVKX24-3	SVKB24-SR	SVKX24-MFT
Control type	On/Off, Floating Point	Proportional	Proportional/MFT	On/Off, Floating Point	Proportional	Proportional/MFT
Input signal / Feedback	-	2-10 VDC	Variable	-	2-10 VDC	Variable
Running time	Motor 150 seconds	150 seconds	Variable	150 seconds	150 seconds	Variable
Actuator travel	Fail-Safe 35 seconds	35 seconds	35 seconds	35 seconds	35 seconds	35 seconds
Actuator noise level	24mm	24mm	24mm	24mm	24mm	24mm
	<45 dB(A)	<45 dB(A)	<45 dB(A)	<45 dB(A)	<45 dB(A)	<45 dB(A)
GVL LINKAGES						
UGVL	Universal Adjustable for 1/2” to 2”	\$	\$	\$	\$	\$
SGVL	Schnieder VB7... VB9...	\$	\$	\$	\$	\$

ROTARY ACTUATORS

SERIES	MODEL	Spring Return	Electronic Fail-Safe	Tandem Mounting Available	Control Input	Feedback Position	Power Supply	Standard Running Time
LF Series*	LF24 US	•			On/Off	-	24 VAC/DC	Consult Specifications
	LF24-MFT US	•			Variable with MFT	Variable VDC	24 VAC/DC	
NF Series*	NFBUP-X1	•			On/Off	-	24-240 VAC	
	NFX24-MFT	•			(24 VAC/DC) Variable with MFT	Variable VDC	24 VAC/DC	
AF Series*	AFBUP-X1	•		•	On/Off	-	24-240 VAC	
	AFX24-MFT-X1	•		•	Variable with MFT	Variable VDC	24 VAC/DC	
LM Series*	LMB24-3-X1				Floating Point, On/Off	-	24 VAC/DC	
	LMX24-MFT-X1				Variable with MFT	Variable VDC	24 VAC/DC	
NM Series*	NMB24-3-X1				Floating Point, On/Off	-	24 VAC/DC	
	NMX24-MFT-X1				Variable with MFT	Variable VDC	24 VAC/DC	
AM Series*	AMB24-3-X1				Floating Point, On/Off	-	24 VAC/DC	
	AMX24-MFT-X1				Variable with MFT	Variable VDC	24 VAC/DC	
GM Series*	GMB24-3-X1			•	Floating Point, On/Off	-	24 VAC/DC	
	GMX24-MFT-X1			•	Variable with MFT	Variable VDC	24 VAC/DC	
GK Series*	GKB24-3-X1		•		Floating Point, On/Off	-	24 VAC/DC	
	GKX24-MFT-X1		•	•	Variable with MFT	Variable VDC	24 VAC/DC	

*Please consult the Damper section of the Product Guide and Price List for a full list of product offerings. Standard run times should be considered in the selection. All air side products are applicable for retrofit kits. Select "X1" actuators come with a handle.

LINEAR ACTUATORS**

SERIES	MODEL	Fail-Safe	Control Input	Feedback Position	Power Supply	Standard Running Time*	Force
LV Series	LVB24-3	No	Floating Pt., On/Off	N/A	24 VAC/DC	90 seconds	112 lbf
	L VX120-3	No	Floating Pt., On/Off	N/A	120-240 VAC	90 seconds	112 lbf
	LVBSR-SR	No	2-10 VDC	2-10 VDC	24 VAC/DC	90 seconds	112 lbf
	L VX24-MFT	No	Variable with MFT	Variable VDC	24 VAC/DC	90 seconds	112 lbf
LVK Series	LVKX24-3	Yes	Floating Pt., On/Off	N/A	24 VAC	90 seconds	112 lbf
	LVKX120-3	Yes	Floating Pt., On/Off	N/A	120-240 VAC	90 seconds	112 lbf
	LVKBSR-SR	Yes	2-10 VDC	2-10 VDC	24 VAC/DC	90 seconds	112 lbf
	LVKX24-MFT	Yes	Variable with MFT	Variable VDC	24 VAC/DC	90 seconds	112 lbf
SV Series	SVX24-3	No	Floating Pt., On/Off	N/A	24 VAC/DC	90 seconds	337 lbf
	SVX120-3	No	Floating Pt., On/Off	N/A	120-240 VAC	90 seconds	337 lbf
	SVBSR-SR	No	2-10 VDC	2-10 VDC	24 VAC/DC	90 seconds	337 lbf
	SVX24-MFT	No	Variable with MFT	Variable VDC	24 VAC/DC	90 seconds	337 lbf
SVK Series	SVKX24-3	Yes	Floating Pt., On/Off	N/A	24 VAC	90 seconds	337 lbf
	SVKX120-3	Yes	Floating Pt., On/Off	N/A	120-240 VAC	90 seconds	337 lbf
	SVKBSR-SR	Yes	2-10 VDC	2-10 VDC	24 VAC/DC	90 seconds	337 lbf
	SVKX24-MFT	Yes	Variable with MFT	Variable VDC	24 VAC/DC	90 seconds	337 lbf
AV Series	AVKB24-3	Yes	Floating Pt., On/Off	N/A	24 VAC	90 seconds	450 lbf
	AVKB120-3	Yes	Floating Pt., On/Off	N/A	120-240 VAC	90 seconds	450 lbf
	AVKB24-MFT	Yes	Variable with MFT	Variable VDC	24 VAC/DC	90 seconds	450 lbf
EV Series	EVB24-3	No	Floating Pt., On/Off	N/A	24 VAC/DC	90 seconds	562 lbf
	EVB120-3	No	Floating Pt., On/Off	N/A	120-240 VAC	90 seconds	562 lbf
	EVB24-MFT	No	Variable with MFT	Variable VDC	24 VAC/DC	90 seconds	562 lbf
RV Series	RVB24-3	No	Floating Pt., On/Off	N/A	24 VAC/DC	90 seconds	562 lbf
	RVB24-MFT	No	Variable with MFT	Variable VDC	24 VAC/DC	90 seconds	562 lbf

* Other speeds available on request. ** Sold as an assembly with linkage.

MULTI-FUNCTION TECHNOLOGY

	PROGRAMMING CODE	Control Input	Running Time	Built-in Feedback
ROTARY ACTUATOR	P-10001 A01	2-10 VDC	150 seconds	2-10 VDC
	P-10002 A02	0.5-10 VDC	150 seconds	0.5-10 VDC
	P-10028 A28	0.5-10 VDC	150 seconds	0.5-10 VDC
	P-10063 A63	0.5-4.5 VDC	150 seconds	0.5-4.5 VDC
	P-10064 A64	5.5-10 VDC	150 seconds	5.5-10 VDC
	P-20002 W02	0.02-5.00 seconds PWM	150 seconds	2-10 VDC
	P-20003 W03	0.10-25.5 seconds PWM	150 seconds	2-10 VDC
	P-30001 F01	Floating Point	150 seconds	2-10 VDC
	P-40002 J02	On/Off	150 seconds	2-10 VDC
LINEAR ACTUATOR	G43	2-10 VDC	90 seconds	2-10 VDC
	G53	0.5-10 VDC	90 seconds	0.5-10 VDC
	W3M	0.02-5.00 seconds PWM	90 seconds	2-10 VDC
	G13	Floating Point	90 seconds	2-10 VDC
	G03	On/Off	90 seconds	2-10 VDC



Siebe\Invensys\Barber Colman

Belimo USA G2, G3 Series Valves
Linkage/Actuator Selection Guide

Siemens\Landis\Powers

591 Series Valves
Linkage/Actuator Selection Guide

Valve Body Model	Size	Fail-Safe	Close-Off psi	Belimo Actuator Series	Belimo Linkage	
Belimo USA G2 series	½"	Yes	250	LVK	SGVL	
		No		LV	SGVL	
	¾"	Yes	250	LVK	SGVL	
		No		LV	SGVL	
	1"	Yes	236	SVK	SGVL	
		No	250	SV	SGVL	
	1¼"	Yes	236	SVK	SGVL	
		No	235	SV	SGVL	
	1½"	No	160	SV	SGVL	
		Yes		SVK	SGVL	
	2"	Yes	85	SVK	SGVL	
		No	90	SV	SGVL	
Belimo USA G2...S series	½"	Yes	250	LVK	SGVL	
		No		LV	SGVL	
	¾"	Yes	250	LVK	SGVL	
		No		LV	SGVL	
	1"	Yes	236	SVK	SGVL	
		No	250	SV	SGVL	
	1¼"	Yes	236	SVK	SGVL	
		No	235	SV	SGVL	
	1½"	No	160	SV	SGVL	
		Yes		SVK	SGVL	
	2"	Yes	85	SVK	SGVL	
		No	90	SV	SGVL	
Belimo USA G3 series	½"	Yes	250	LVK	SGVL	
		No		LV	SGVL	
	¾"	Yes	250	LVK	SGVL	
		No		LV	SGVL	
	1"	Yes	236	SVK	SGVL	
		No	250	SV	SGVL	
	1¼"	Yes	236	SVK	SGVL	
		No	235	SV	SGVL	
	1½"	No	160	SV	SGVL	
		Yes		SVK	SGVL	
	2"	Yes	85	SVK	SGVL	
		No	90	SV	SGVL	
SIEMENS \ LANDIS \ POWERS						
591 Series	2½"	Yes	110	2*AF	UGLK1272	
		Yes		AVK	FGVL	
		No		EV	FGVL	
		Yes		2*GK	UGLK1270	
	3"	Yes	77	2*AF	UGLK1270	
		Yes		AVK	FGVL	
		Yes		2*GK	UGLK1270	
		No		RV	FGVL	
	4"	Yes	136	RV	FGVL	
		Yes		EV	FGVL	
		No		90	EV	FGVL
		Yes		10	AF	UGLK1206
	5"	Yes	22	2*AF	UGLK1274	
		Yes		GK	UGLK1206	
		No		30	EV	FGVL
		Yes		40	2*GK	UGLK1274
	6"	Yes	14	RV	FGVL	
		Yes		2*AF	UGLK1274	
		No		20	EV	UGLK1206
		Yes		22	2*GK	UGLK1274
	6"	Yes	25	RV	UGLK1274	
		No		10	2*AF	UGLK1274
		Yes		22	2*GK	UGLK1274
		No		22	RV	FGVL

Tech.Doc - 07/14 - Subject to change. © Belimo Aircontrols (USA), Inc.

All close-off pressures listed are approximate and based on valve condition and application.



Valve Body Model	Size	Fail-Safe	Close-Off psi	Belimo Actuator Series	Belimo Linkage	
599 Flowrite	2½"	Yes	110	2*AF	UGLK1272	
		Yes		AVK	FGVL	
		No		EV	FGVL	
		Yes		2*GK	UGLK1272	
	3"	No	211	RV	FGVL	
		Yes		2*AF	UGLK1272	
		Yes	77	AVK	FGVL	
		Yes	136	2*GK	UGLK1272	
		No		RV	FGVL	
		No	90	EV	FGVL	
	4"	Yes	10	AF	UGLK1212	
		Yes	22	2*AF	UGLK1276	
		Yes		GK	UGLK1212	
		No	30	EV	FGVL	
		Yes	40	2*GK	UGLK1276	
		No		RV	FGVL	
	5"	Yes	14	2*AF	UGLK1276	
		Yes		GK	UGLK1212	
		No	20	EV	FGVL	
		Yes	22	2*GK	UGLK1276	
591 Series	½"	Yes	236	RV	FGVL	
		Yes		LVK	UGVL	
		No		NF	UGLK1200	
	¾"	Yes	211	LV	UGVL	
		No		LVK	UGVL	
		Yes		NF	UGLK1200	
	1"	Yes	236	AF	UGLK1200	
		No		AM	UGLK1200	
		Yes		NF	UGLK1200	
	591 Series	1"	No	236	SV	UGVL
			Yes		SVK	UGVL
			Yes		AF	UGLK1200
1¼"		No	236	AM	UGLK1200	
		No		SV	UGVL	
		Yes		SVK	UGVL	
		Yes		NF	UGLK1200	
1½"		Yes	104	AF	UGLK1202	
		No		AM	UGLK1202	
		No	211	SV	UGVL	
		Yes		SVK	UGVL	
		Yes	209	GK	UGLK1202	
		No		GM	UGLK1202	
2"		No	52	SV	UGVL	
		Yes		SVK	UGVL	
		Yes	120	AF	UGLK1200	
		No		AM	UGLK1200	
		Yes	236	GK	UGLK1200	
	No	GM		UGLK1200		
599 Flowrite	½"	Yes	236	LVK	UGVL	
		Yes		NF	UGLK1208	
		No		LV	UGVL	
	¾"	Yes	211	LVK	UGVL	
		No		LV	UGVL	
		No	236	AM	UGLK1208	
		Yes		NF	UGLK1208	
	1"	Yes	236	AF	UGLK1208	
		No		AM	UGLK1208	
		No		SV	UGVL	
		Yes		SVK	UGVL	
		Yes		173	NF	UGLK1208
	1¼"	Yes	110	NF	UGLK1208	
		Yes	221	AF	UGLK1208	
		No		AM	UGLK1208	
		No	236	SV	UGVL	
		Yes		SVK	UGVL	

All close-off pressures listed are approximate and based on valve condition and application.



Valve Body Model	Size	Fail-Safe	Close-Off psi	Belimo Actuator Series	Belimo Linkage	
599 Flowrite	1½"	Yes	77	NF	UGLK1208	
		Yes	153	AF	UGLK1208	
		No		AM	UGLK1208	
		Yes		SVK	UGVL	
		No	153	SV	UGVL	
		Yes	236	GK	UGLK1208	
	No	GM		UGLK1208		
	2"	Yes	40	NF	UGLK1208	
		No	85	SV	UGVL	
		Yes		SVK	UGVL	
		Yes	86	AF	UGLK1208	
		No		AM	UGLK1208	
Yes		GK		UGLK1208		
No	173	GM	UGLK1208			
656-658 series	½"	Yes	236	LVK	UGVL	
		Yes		LF	UGLK1350	
		No		LV	UGVL	
	¾"	Yes	211	LF	UGLK1350	
		No		LV	UGVL	
	1"	Yes	236	LVK	UGVL	
	1¼"	Yes	93	LF	UGLK1350	
		Yes	65	LF	UGLK1350	
	658 Series	1"	Yes	93	LVK	UGVL
			No		LV	UGVL
No			SV		UGVL	
1¼"		Yes	236	SVK	UGVL	
		No		SV	UGVL	
		Yes		SVK	UGVL	
599 MZ (Cv 16)	1¼"	No	22	CM	UGSL1200	
599 MZ (Cv 16)	1¼"	No	10	CM	UGSL1200	
599 MZ (Cv 25)	1½"	No	10	CM	UGSL1200	
599-01100 MZ (Cv <.4)	½"	No	70	CM	UGSL1200	
599-01102 MZ (Cv <.63)	½"	No	70	CM	UGSL1200	
599-01104 MZ (Cv <1)	½"	No	70	CM	UGSL1200	
599-01106 MZ (Cv <1.6)	½"	No	70	CM	UGSL1200	
599-01108 MZ (Cv <2.5)	½"	No	40	CM	UGSL1200	
599-01110 MZ (Cv <4)	½"	No	40	CM	UGSL1200	
599-01112 MZ (Cv <6.3)	¾"	No	26	CM	UGSL1200	
599-01114 MZ (Cv <10)	1"	No	26	CM	UGSL1200	
599-01115 MZ (Cv <.4)	½"	No	65	CM	UGSL1200	
599-01117 MZ (Cv <.63)	½"	No	65	CM	UGSL1200	
599-01119 MZ (Cv <1)	½"	No	65	CM	UGSL1200	
599-01121 MZ (Cv <1.6)	½"	No	65	CM	UGSL1200	
599-01123 MZ (Cv <2.5)	½"	No	35	CM	UGSL1200	
599-01126 MZ (Cv <4)	½"	No	35	CM	UGSL1200	
599-01129 MZ (Cv <6.3)	¾"	No	26	CM	UGSL1200	
599-01131 MZ (Cv <10)	1"	No	26	CM	UGSL1200	
599-01132 MZ (Cv <.4)	½"	No	70	CM	UGSL1200	
599-01133 MZ (Cv <.63)	½"	No	70	CM	UGSL1200	
599-01134 MZ (Cv <1)	½"	No	70	CM	UGSL1200	
599-01135 MZ (Cv <1.6)	½"	No	70	CM	UGSL1200	
599-01136 MZ (Cv <2.5)	½"	No	40	CM	UGSL1200	
599-01137 MZ (Cv <4)	½"	No	40	CM	UGSL1200	
599-01138 MZ (Cv <6.3)	¾"	No	10	CM	UGSL1200	
599-01139 MZ (Cv <10)	1"	No	10	CM	UGSL1200	
599-02000 MT (Cv <.4)	½"	No	93	CM	UGSL1200	
599-02002 MT (Cv <.63)	½"	No	93	CM	UGSL1200	
599-02004 MT (Cv <1)	½"	No	93	CM	UGSL1200	
599-02006 MT (Cv <1.6)	½"	No	93	CM	UGSL1200	
599-02008 MT (Cv <2.5)	½"	No	50	CM	UGSL1200	
599-02010 MT (Cv <4)	½"	No	50	CM	UGSL1200	
599-02012 MT (Cv <6.3)	¾"	No	40	CM	UGSL1200	
599-02014 MT (Cv <10)	1"	No	40	CM	UGSL1200	
599-02030 MT (Cv <.4)	½"	No	120	CM	UGSL1200	
599-02032 MT (Cv <.63)	½"	No	120	CM	UGSL1200	
599-02034 MT (Cv <1)	½"	No	120	CM	UGSL1200	

Tech.Doc - 07/14 - Subject to change. © Belimo Aircontrols (USA), Inc.

All close-off pressures listed are approximate and based on valve condition and application.



Valve Body Model	Size	Fail-Safe	Close-Off psi	Belimo Actuator Series	Belimo Linkage
599-02036 MT (Cv <1.6)	½"	No	120	CM	UGSL1200
599-02038 MT (Cv <2.5)	½"	No	65	CM	UGSL1200
599-02041 MT (Cv <4)	½"	No	65	CM	UGSL1200
599-02044 MT (Cv <6.3)	¾"	No	52	CM	UGSL1200
599-02046 MT (Cv <10)	1"	No	52	CM	UGSL1200
599-02064 MT (Cv <.4)	½"	No	93	CM	UGSL1200
599-02065 MT (Cv <.63)	½"	No	93	CM	UGSL1200
599-02066 MT (Cv <1)	½"	No	93	CM	UGSL1200
599-02067 MT (Cv <1.6)	½"	No	93	CM	UGSL1200
599-02068 MT (Cv <2.5)	½"	No	50	CM	UGSL1200
599-02069 MT (Cv <4)	½"	No	50	CM	UGSL1200
599-02070 MT (Cv <6.3)	¾"	No	40	CM	UGSL1200
599-02071 MT (Cv <10)	1"	No	40	CM	UGSL1200
599-02084 MT (Cv <10)	1¼"	No	22	CM	UGSL1200
599-02085 MT (Cv <10)	1¼"	No	22	CM	UGSL1200
599-02086 MT (Cv <16)	1¼"	No	10	CM	UGSL1200
599 MZ (Cv 16)	1¼"	Yes	22	TF	UGSL1200
599 MZ (Cv 25)	1¼"	Yes	10	TF	UGSL1200
599-01100 MZ (Cv <.4)	½"	Yes	70	TF	UGSL1200
599-01102 MZ (Cv <.63)	½"	Yes	70	TF	UGSL1200
599-01104 MZ (Cv <1)	½"	Yes	70	TF	UGSL1200
599-01106 MZ (Cv <1.6)	½"	Yes	70	TF	UGSL1200
599-01108 MZ (Cv <2.5)	½"	Yes	40	TF	UGSL1200
599-01110 MZ (Cv <4)	½"	Yes	40	TF	UGSL1200
599-01112 MZ (Cv <6.3)	¾"	Yes	26	TF	UGSL1200
599-01114 MZ (Cv <10)	1"	Yes	26	TF	UGSL1200
599-01115 MZ (Cv <.4)	½"	Yes	65	TF	UGSL1200
599-01117 MZ (Cv <.63)	½"	Yes	65	TF	UGSL1200
599-01119 MZ (Cv <1)	½"	Yes	65	TF	UGSL1200
599-01121 MZ (Cv <1.6)	½"	Yes	65	TF	UGSL1200
599-01123 MZ (Cv <2.5)	½"	Yes	35	TF	UGSL1200
599-01126 MZ (Cv <4)	½"	Yes	35	TF	UGSL1200
599-01129 MZ (Cv <6.3)	¾"	Yes	26	TF	UGSL1200
599-01131 MZ (Cv <10)	1"	Yes	26	TF	UGSL1200
599-01132 MZ (Cv <.4)	½"	Yes	70	TF	UGSL1200
599-01133 MZ (Cv <.63)	½"	Yes	70	TF	UGSL1200
599-01134 MZ (Cv <1)	½"	Yes	70	TF	UGSL1200
599-01135 MZ (Cv <1.6)	½"	Yes	70	TF	UGSL1200
599-01136 MZ (Cv <2.5)	½"	Yes	40	TF	UGSL1200
599-01137 MZ (Cv <4)	½"	Yes	40	TF	UGSL1200
599-01138 MZ (Cv <6.3)	¾"	Yes	10	TF	UGSL1200
599-01139 MZ (Cv <10)	1"	Yes	10	TF	UGSL1200
599-02000 MT (Cv <.4)	½"	Yes	93	TF	UGSL1200
599-02002 MT (Cv <.63)	½"	Yes	93	TF	UGSL1200
599-02004 MT (Cv <1)	½"	Yes	93	TF	UGSL1200
599-02006 MT (Cv <1.6)	½"	Yes	93	TF	UGSL1200
599-02008 MT (Cv <2.5)	½"	Yes	50	TF	UGSL1200
599-02010 MT (Cv <.4)	½"	Yes	50	TF	UGSL1200
599-02012 MT (Cv <6.3)	¾"	Yes	40	TF	UGSL1200
599-02014 MT (Cv <10)	1"	Yes	40	TF	UGSL1200
599-02030 MT (Cv <.4)	½"	Yes	120	TF	UGSL1200
599-02032 MT (Cv <.63)	½"	Yes	120	TF	UGSL1200
599-02034 MT (Cv <1)	½"	Yes	120	TF	UGSL1200
599-02036 MT (Cv <1.6)	½"	Yes	120	TF	UGSL1200
599-02038 MT (Cv <2.5)	½"	Yes	65	TF	UGSL1200
599-02041 MT (Cv <4)	½"	Yes	65	TF	UGSL1200
599-02044 MT (Cv <6.3)	¾"	Yes	52	TF	UGSL1200
599-02046 MT (Cv <10)	1"	Yes	52	TF	UGSL1200
599-02064 MT (Cv <.4)	½"	Yes	93	TF	UGSL1200
599-02065 MT (Cv <.63)	½"	Yes	93	TF	UGSL1200
599-02066 MT (Cv <1)	½"	Yes	93	TF	UGSL1200
599-02067 MT (Cv <1.6)	½"	Yes	93	TF	UGSL1200
599-02068 MT (Cv <2.5)	½"	Yes	50	TF	UGSL1200
599-02069 MT (Cv <4)	½"	Yes	50	TF	UGSL1200
599-02070 MT (Cv <6.3)	¾"	Yes	40	TF	UGSL1200

All close-off pressures listed are approximate and based on valve condition and application.



Valve Body Model	Size	Fail-Safe	Close-Off psi	Belimo Actuator Series	Belimo Linkage		
599-02071 MT (Cv <10)	1"	Yes	40	TF	UGSL1200		
599-02084 MT (Cv <10)	1¼"	Yes	22	TF	UGSL1200		
599-02085 MT (Cv <10)	1¼"	Yes	22	TF	UGSL1200		
599-02086 MT (Cv <16)	1¼"	Yes	10	TF	UGSL1200		
WARREN CONTROLS							
100 SGL SEAT	2½"	Yes	52	AVK	WGVL		
		No		RV	WGVL		
		No	26	EV	WGVL		
		Yes	110	2*GK	UGLK2272		
	3"	No	22	EV	WGVL		
		Yes		AVK	WGVL		
		No	40	RV	WGVL		
		Yes	70	2*GK	UGLK2272		
		4"	Yes	10	AF	UGLK2202	
			No		EV	WGVL	
	Yes		22	AVK	WGVL		
	No		40	RV	WGVL		
	Yes		40	2*GK	UGLK2272		
	5"		Yes	10	AF	UGLK2202	
		Yes	AVK		WGVL		
		No	14	RV	WGVL		
		Yes	22	2*GK	UGLK2272		
		6"	Yes	10	AF	UGLK2202	
			Yes		AVK	WGVL	
	No		RV	WGVL			
	Yes		22	2*GK	UGLK2272		
	1800 3W DIV		2½"	Yes	52	AVK	WGVL
				No		EV	WGVL
		Yes		110	2*GK	UGLK2272	
1800 3W DIV		2½"	No	110	2*GM	UGLK2272	
			Yes		AVK	WGVL	
			3"	No	40	EV	WGVL
	Yes			70		2*GK	UGLK2272
	1800 3W DIV	4"	No	22	2*GM	UGLK2272	
			Yes		AVK	WGVL	
No			40	EV	WGVL		
Yes			40	2*GK	UGLK2272		
1800 3W DIV		5"	No	14	2*GM	UGLK2272	
			Yes		AVK	WGVL	
	No		22	EV	WGVL		
	Yes		22	2*GK	UGLK2272		
	1800 3W DIV	6"	No	10	2*GM	UGLK2272	
			Yes		AVK	WGVL	
Yes			22	EV	WGVL		
No			22	2*GK	UGLK2272		
1800 3W MIX		2½"	No	52	2*GM	UGLK2272	
			Yes		AVK	WGVL	
	No		110	EV	WGVL		
	Yes		110	2*GK	UGLK2272		
	1800 3W MIX	3"	No	40	2*GM	UGLK2272	
			Yes		AVK	WGVL	
			No	70	EV	WGVL	
			Yes	70	2*GK	UGLK2272	
		1800 3W MIX	4"	No	22	2*GM	UGLK2272
				Yes		AVK	WGVL
	No			40	EV	WGVL	
	Yes			40	2*GK	UGLK2272	
1800 3W MIX	5"		No	14	2*GM	UGLK2272	
			Yes		AVK	WGVL	
		No	22	EV	WGVL		
		Yes	22	2*GK	UGLK2272		
	1800 3W MIX	6"	No	10	2*GM	UGLK2272	
			Yes		AVK	WGVL	
No			22	EV	WGVL		
Yes			22	2*GK	UGLK2272		
No	22	2*GM	UGLK2272				

Tech.Doc - 07/14 - Subject to change. © Belimo Aircontrols (USA), Inc.

All close-off pressures listed are approximate and based on valve condition and application.

UGLK Collars

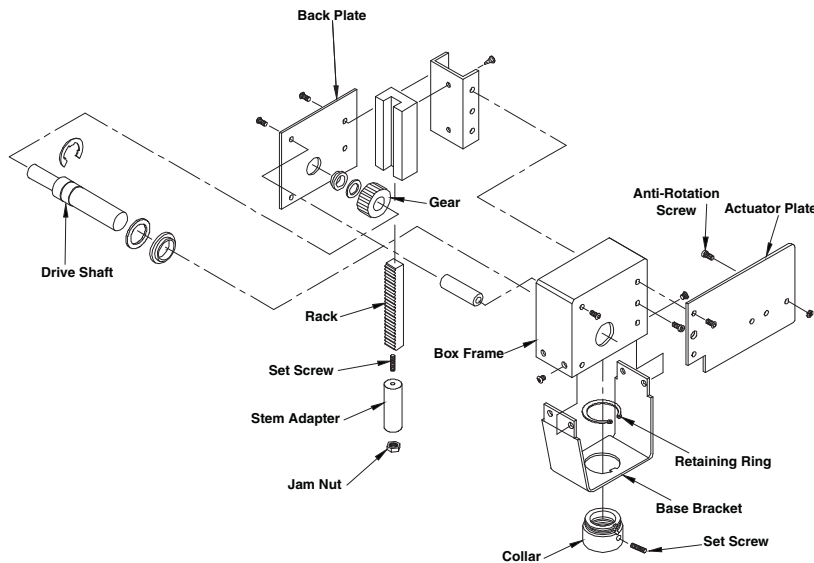
Part Number	Inside Diameter	Description	Most Commonly Used Valve Style				
			Style 1	Style 2	Style 3	Style 4	Style 5
UGLK-COL-1005	1.000"	3 setscrews, for frame type		•			
UGLK-COL-1063	1.063"	3 setscrews, for frame type		•			
UGLK-COL-1100	1.100"	3 setscrews, for frame type, counterbored top				•	
UGLK-COL-1255	1.250"	3 setscrews, for frame type		•			
UGLK-COL-1315	1.315"	3 setscrews, for frame type, can be used with VB7 with shim			•		
UGLK-COL-1375	1.375"	3 setscrews, for frame type		•			
UGLK-COL-BC10	1.250" - 16 Thd.	Fits Siebe VB7/VB9. Use on frame type only	•				
UGLK-COL-HY02	1.370"	1 setscrew, for frame type					•
UGLK-COL-LG02	1.740"	1 setscrew, for frame type			•		
UGLK-COL-LG04	1.740"	1 setscrew, for frame type			•		
UGLK-COL-JC05	1.070"	3 setscrews, for frame type		•			
UGLK-COL-JC06	1.562" - 14 Thd.	Threaded, brass		•			
UGLK-COL-JC08	0.760"	3 setscrews, for frame type, counterbored top				•	
UGLK-COL-JC15	1.070"	Ring, no setscrews		•			
UGLK-COL-0880	0.880"	3 setscrews, for frame type, counterbored top				•	
UGLK-COL-WNUT	1.375" - 20 Thd.	Replacement Warren nut. Will not go over damaged threads		•			
UGLK-COL-AD01	1.250" - 16 Thd.	Fits Siebe VB7/VB9. For VB7 frame only	•				
UGLK-COL-UNIV	Custom	3 setscrews, for frame type. Must be machined		•	•	•	•

* Must reuse clip and set screws.

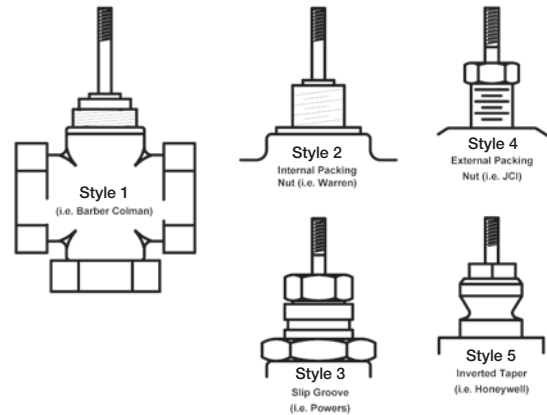
UGLK Stem Adapters

Part Number	Inside Diameter	Description	Most Commonly Used Valve Style				
			Style 1	Style 2	Style 3	Style 4	Style 5
UGLK-STM-1800	1/4" - 28 Stem Thd.	Stem adapter for 1/4" - 28 valve stems	•	•	•	•	•
UGLK-STM-1801	3/8" - 24 Stem Thd.	Stem adapter for 3/8" - 24 valve stems	•	•	•	•	•
UGLK-STM-1802	1/2" - 20 Stem Thd.	Stem adapter for 1/2" - 20 valve stems	•			•	•
UGLK-STM-1803	7/16" - 20 Stem Thd.	Stem adapter for 7/16" - 20 valve stems					•
UGLK-STM-1501	3/8" - 24 Stem Thd.	For Warren FLG valves with UGLK		•			
UGLK-STM-1805	3/8" OD Grooved	Landis 2.5-3" -599 Series			•		
UGLK-STM-2305	1/2" OD Grooved	Landis 4-6" -599 Series			•		
UGLK-STM-UNIV	Custom	Must be machined	•	•	•	•	•

UGLK Stem Adapters



UGLK Collars



Tech.Doc - 07/14 - Subject to change. © Belimo Aircontrols (USA), Inc.



WEATHER SHIELDS		NON-SPRING RETURN				SPRING RETURN			ELECTRONIC FAIL-SAFE				2* GM/GK
		LV	SV	EV	RV	LF	NF	AF	GK	LVK	SVK	AVK	
	ZS-SPGV-60 LF series on G2/G3 globe valve					•							
	ZS-SPGV-10 Dual AF series on flanged globe valve							•					
	ZS-SPGV-20 Single NF/AF series on G2/G3 (NF/AF) and flanged globe valve (AF)						•	•					
	ZS-SPGV-40 GK series on flanged globe valve									•			
	ZS-SPGV-50 GK series on flanged globe valve												•
	ZS-GV-001 Weather shield for LV/SV (cover only)	•	•							•	•		
	ZS-GV-002 Weather shield for EV/RV/AVK (cover only)			•	•							•	
AUXILIARY SWITCHES & POTENTIOMETERS													
	S1A Auxiliary switch - 1x SPDT, 3A (0.5A inductive) @ 250 VAC									•			•
	S2A Auxiliary switch - 2x SPDT, 3A (0.5A inductive) @ 250 VAC									•			•
	S2A-GV Auxiliary switch - 2x SPDT, 3A (0.5A inductive) @ 250 VAC	•	•	•	•					•	•	•	
	P140A GR Feedback potentiometer 140 Ω									•			•
	P500A GR Feedback potentiometer 500 Ω									•			•
	P1000A GR Feedback potentiometer 1000 Ω									•			•
	P2800A GR Feedback potentiometer 2800 Ω									•			•
	P5000A GR Feedback potentiometer 5000 Ω									•			•
	P10000A GR Feedback potentiometer 10000 Ω									•			•
BATTERY BACKUPS													
	NSV24 US Battery backup module	•	•	•	•								
	NSV-BAT 12VDC 1.2 AH battery (2 required)	•	•	•	•								

Note: Each NSV-24 US requires 2 NSV-BAT.

Tech.Doc - 07/14 - Subject to change. © Belimo Aircontrols (USA), Inc.